

BLANK PATCH PANEL

12 PORT



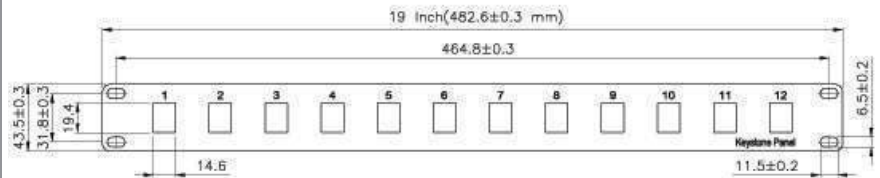
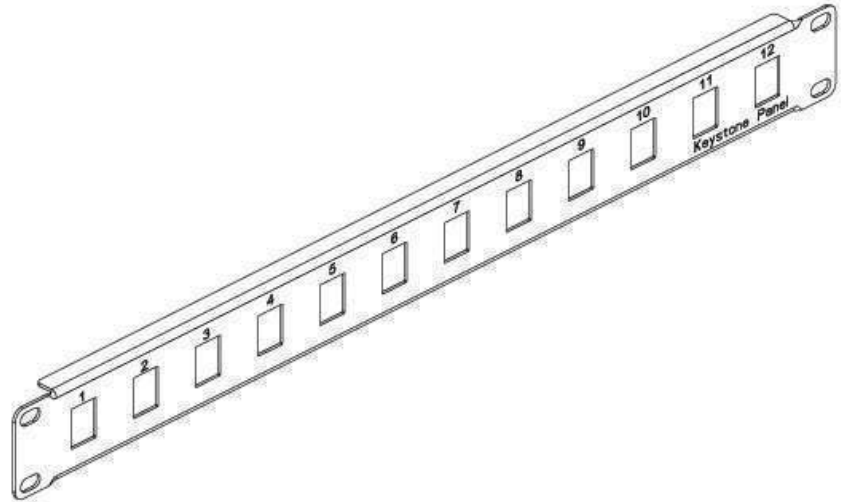
SKU: 043-380/12

DESCRIPTION

12 Port Blank Patch Panel, 19in. Rack Mountable, 1U.

FEATURES

- Constructed from heavy-duty 16-gauge steel
- UL94-V-0 high-impact, fire-retardant material.
- Accepts either 10/24 or 12/32 screws
- Durable black powder coat finish
- Universal mounting for either left or right hinging and easy panel access
- Convenient wall mounting of patch panels
- Bezels, Jacks or Inserts NOT Included
- Black Coated Finish



VERTICAL CABLE

951.696.7772 California

800.749.2447 Florida

845.391.8318 New York

www.verticalcable.com

Rev. 6/2014

Subject to change without notice

BLANK PATCH PANEL w/ CABLE MANAGER, 24 PORT



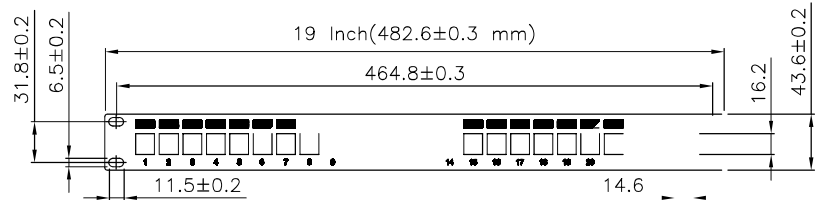
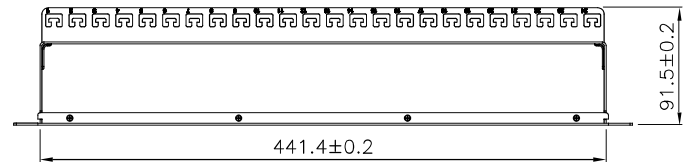
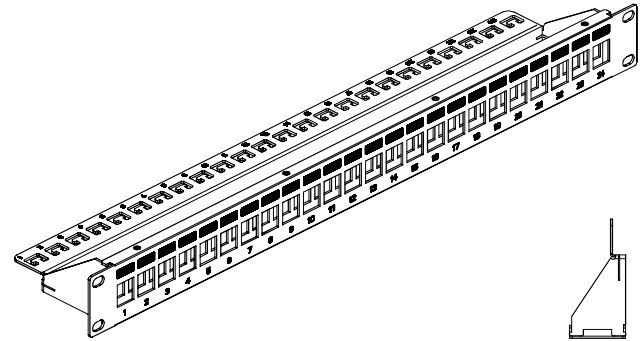
SKU: 043-382/24/1U

DESCRIPTION

24 Port Blank Patch Panel with Cable Manager, 19in, Rack Mountable, 1U.

FEATURES

- Constructed from heavy-duty 16-gauge steel
- UL94-V-0 high-impact, fire-retardant material
- Cable manager attaches to patch panel
- Accepts either 10/24 or 12/32a screws
- Durable black powder coat finish
- Universal mounting for either left or right hinging and easy panel access
- Convenient wall mounting features



VERTICAL CABLE

951.696.7772 California
800.749.2447 Florida
845.391.8318 New York

www.verticalcable.com

Rev. 6/2014

Subject to change without notice

BLANK PATCH PANEL

24 PORT



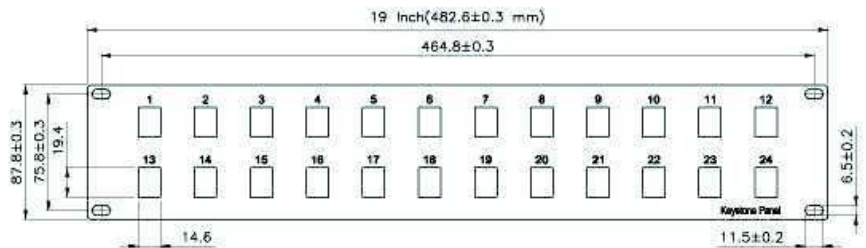
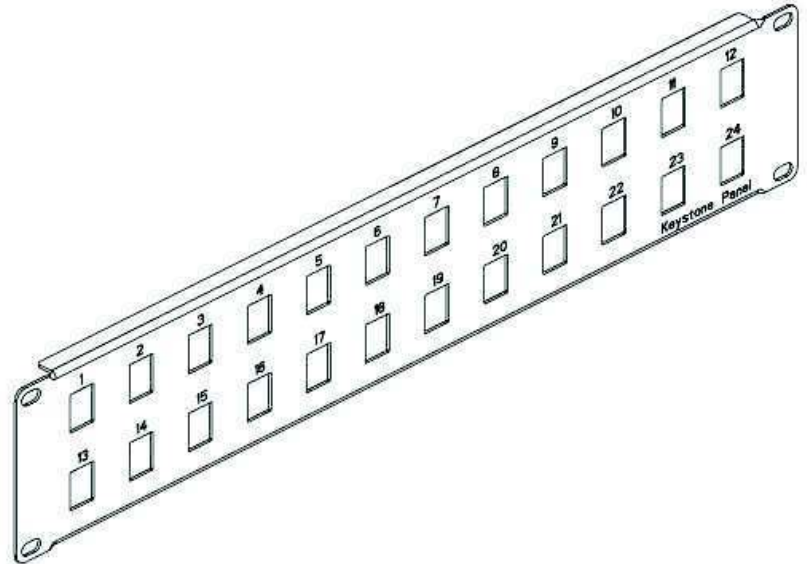
SKU: 043-382/24

DESCRIPTION

24 Port Blank Patch Panel, 19in. Rack Mountable, 2U.

FEATURES

- Constructed from heavy-duty 16-gauge steel
- UL94-V-0 high-impact, fire-retardant material.
- Accepts either 10/24 or 12/32 screws
- Durable black powder coat finish
- Universal mounting for either left or right hinging and easy panel access
- Convenient wall mounting of patch panels
- Bezels, Jacks or Inserts NOT Included
- Black Coated Finish



VERTICAL CABLE

951.696.7772 California
800.749.2447 Florida
845.391.8318 New York

www.verticalcable.com

Rev. 6/2014

Subject to change without notice

BLANK PATCH PANEL w/ CABLE MANAGER, 48 PORT



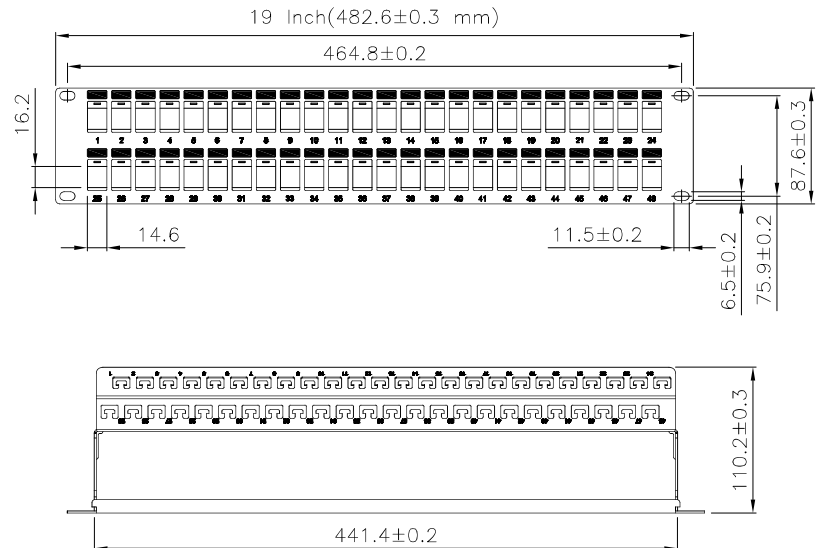
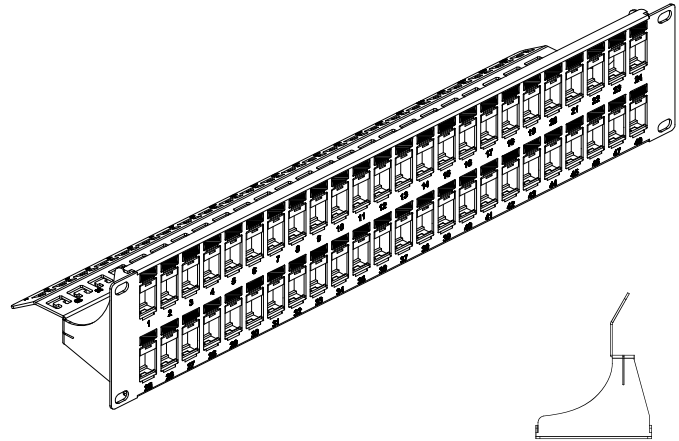
SKU: 043-384/48/2U

DESCRIPTION

48 Port Blank Patch Panel with Cable Manager, 19in. Rack Mountable, 2U.

FEATURES

- Constructed from heavy-duty 16-gauge steel
- UL94-V-0 high-impact, fire-retardant material
- Cable Manager attaches to patch panel
- Accepts either 10/24 or 12/32 screws
- Durable black powder coat finish
- Universal mounting for either left or right hinging and easy panel access
- Convenient wall mounting features



VERTICAL CABLE

951.696.7772 California
800.749.2447 Florida
845.391.8318 New York

www.verticalcable.com

Rev. 6/2014

Subject to change without notice

BLANK PATCH PANEL

48 PORT



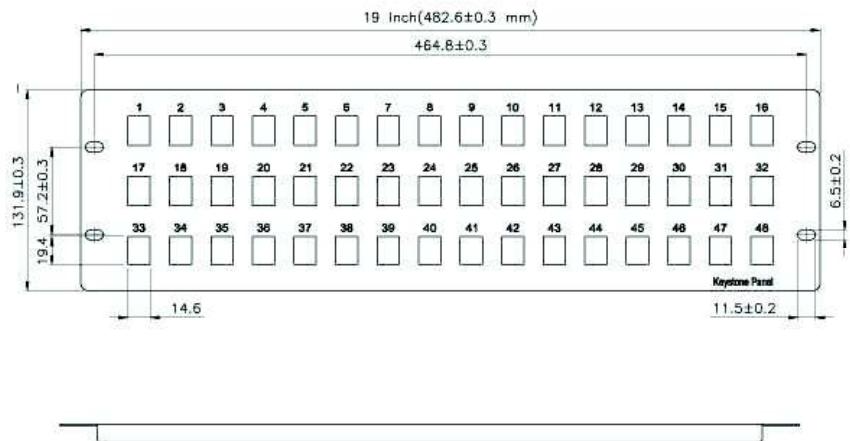
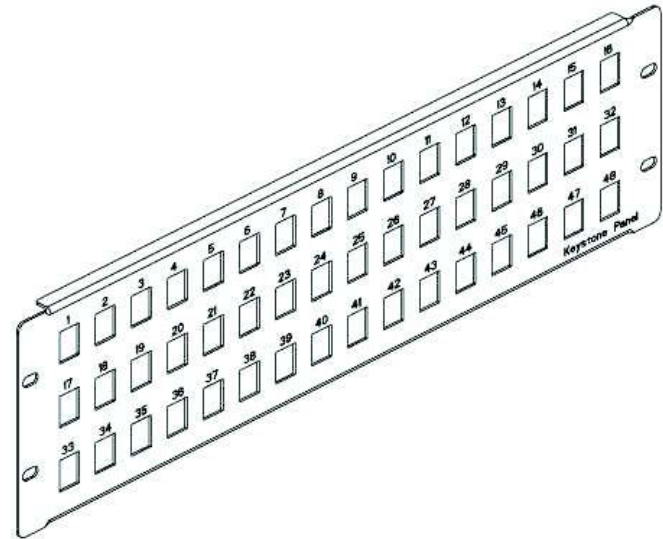
SKU: 043-384/48

DESCRIPTION

48 Port Blank Patch Panel, 19in. Rack Mountable, 3U.

FEATURES

- Constructed from heavy-duty 16-gauge steel
- UL94-V-0 high-impact, fire-retardant material.
- Accepts either 10/24 or 12/32 screws
- Durable black powder coat finish
- Universal mounting for either left or right hinging and easy panel access
- Convenient wall mounting of patch panels
- Bezels, Jacks or Inserts NOT Included
- Black Coated Finish



VERTICAL CABLE

951.696.7772 California
800.749.2447 Florida
845.391.8318 New York

www.verticalcable.com

Rev. 6/2014

Subject to change without notice