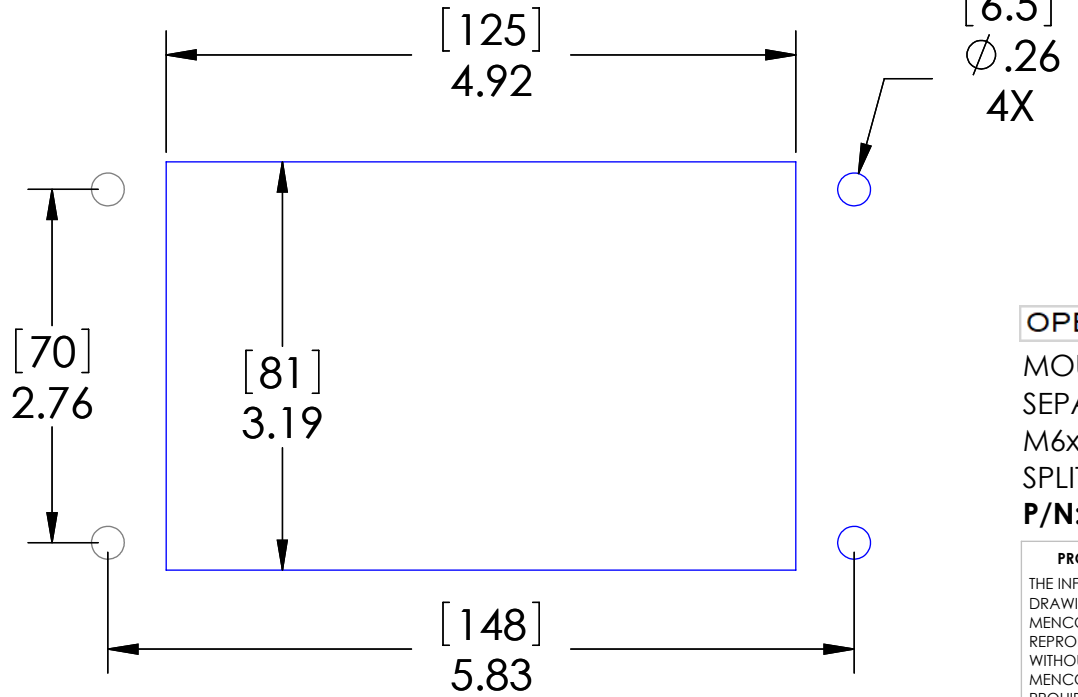


NEMA 5-20R GFCI RECEPTACLE (2X)

PANEL CUTOUT



6.5  
Ø.26  
4X

HOUSING MATERIALS	
BODY:	EPOXY COATED DIE CAST ALUMINUM
GASKET:	THERMOPLASTIC ELASTOMER
HANDLE:	STAINLESS STEEL

PIC RATINGS/SPECIFICATIONS	
VOLTS:	125V
AMPS:	20A
SCCR:	10.0kA
NEMA/UL   EN 60529:	4, 4X, 12   IP65
MOUNTING SCREW SIZE:	M6 (1/4-20) (304 or 316SS for 4X)
MOUNTING SCREW TORQUE:	3.0~3.6N-m (2.2~2.7 Lb-Ft)
INCOMING POWER WIRE SIZE:	0.5 ~ 4.0 sq mm / 20-12AWG
WIRE STRIP LENGTH:	10 ~ 11 mm

OPERATING TEMPERATURE: (-35°C / +66° C (-30° F / +150° F))

MOUNTING KIT ORDERED SEPARATELY CONTAINS M6x1 SS SCREW, NYLON WASHER, SPLIT LOCKWASHER AND M6 NUT  
**P/N: D-PIC48-MT**



**PROPRIETARY AND CONFIDENTIAL**  
 THE INFORMATION CONTAINED IN THIS DRAWING IS THE SOLE PROPERTY OF MENCOM CORPORATION. ANY REPRODUCTION IN PART OR AS A WHOLE WITHOUT THE WRITTEN PERMISSION OF MENCOM CORPORATION IS PROHIBITED.

UNLESS OTHERWISE SPECIFIED:	
DIMENSIONS ARE IN INCHES AND [MM]	
MATERIAL	
FINISH	
DO NOT SCALE DRAWING	

DRAWN BY:	ADM
DRAWN DATE:	10/29/2021
CHECKED BY:	DCG
CHECK DATE:	10/29/2021

**MENCOM CORPORATION**  
 TITLE:  
 PIC, 2 GFCI 20A, SZ 48

SIZE	DWG. NO.	REV
<b>B</b>	GF20-2-48	<b>B</b>
SCALE: 2:3	WEIGHT:	SHEET 1 OF 1