

Data sheet

Keystone 19 inch module frame 0.5RU 24 port gray unequipped

Page 1/5

P/N

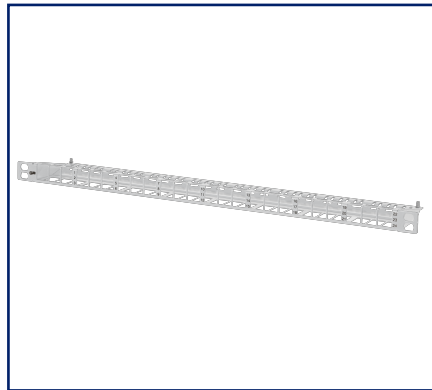
130925-GRKE

EAN 4251122194023

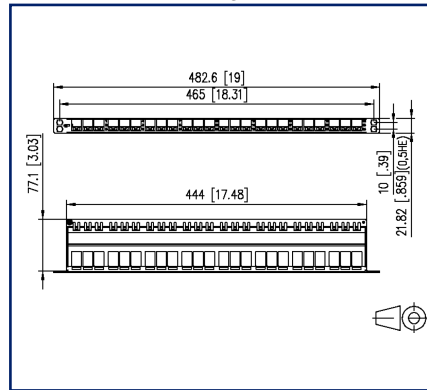
2023/04/14

Version: M

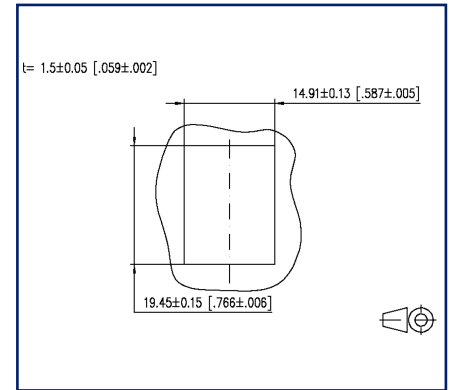
Illustrations



Dimensional drawing



Cut-out



See enlarged drawings at the end of document

Product specification

- 19 inch module frame 0.5RU 24 port unequipped, gray
- for 24 individual modules in Keystone design
- additional strain relief on patch panel possible by cable ties, cable ties included in delivery
- suitable modules: E-DAT modul K, UTP modul Cat.6_A, UTP modul Cat.6, UTP modul Cat.5e
- design: Keystone



P | Cabling

Data sheet

Page 2/5

Keystone 19 inch module frame 0.5RU 24 port gray unequipped

P/N

130925-GRKE

EAN 4251122194023

2023/04/14

Version: M

Technical Data

General Data

Mechanical measurement according to MICE	M1
Ingress measurement according to MICE	I1
Climatic measurement according to MICE	C1
Electromagnetic measurement according to MICE	E3
Design	patch panel
Mounting style	0.5RU
Color	gray
Dimensions	
Dimension (L x W x H)	77.1 mm x 444 mm x 21.82 mm
Dimension (L x W x H)	3.035 in. x 17.48 in. x 0.859 in.
Inches	19 inches
Labeling option	printed numbers

Connections/interfaces

Number of ports interface 1	24
Number of equipped ports interface 1	0
Number of ports interface 2	24
Number of ports interface 2 equipped	0

Mechanical data

Cut-out	Keystone
strain relief	cable tie

Materials and material properties

Halogen free	yes
RoHS	compliant

Classifications

ETIM 5.0	EC001128
ETIM 6.0	EC001128
ETIM 7.0	EC002006
ETIM 8.0	EC002006
ETIM 9.0	EC002006

P | Cabling

Data sheet

Page 3/5

Keystone 19 inch module frame 0.5RU 24 port gray unequipped

P/N

130925-GRKE

EAN 4251122194023

2023/04/14

Version: M

Technical Data

Packing details

Type of packaging	1 box
Packaging dimension	400 mm x 400 mm x 400 mm
Packaging dimension	15.748 in. x 15.748 in. x 15.748 in.



P | Cabling

Data sheet

Page 4/5

Keystone 19 inch module frame 0.5RU 24 port gray unequipped

P/N

130925-GRKE

EAN 4251122194023

2023/04/14

Version: M

Accessories

P/N	Designation
130792	Mounting kit, cage nuts M6
130898-0003KI	Keystone BLIND module light gray
130898-0029KI	Keystone BLIND module black
130910KI	E-DAT modul Cat.6 _A K jack - Keystone style
130910KI-79	E-DAT modul Cat.6 _A K jack - Keystone style
130910KZ	E-DAT modul Cat.6 _A K jack - Keystone style (12 pcs)
130A08-I-B1	UTP modul Cat.5e white
130A10-29-I-B1	UTP modul 8(8) Cat.6 black
130A10-I-B1	UTP modul 8(8) Cat.6 white
130A11-29KI	UTP modul 8(8) Cat.6 _A Keystone black
130A11KI	UTP modul 8(8) Cat.6 _A Keystone white
820032-0102-I	Dust protection cover for C6 _A modul pure white
820032-0103-I	Dust protection cover for C6 _A modul light gray
820032-0105-I	Dust protection cover for C6 _A modul yellow
820032-0106-I	Dust protection cover for C6 _A modul blue
820032-0107-I	Dust protection cover for C6 _A modul green
820032-0108-I	Dust protection cover for C6 _A modul red
820032-0129-I	Dust protection cover for C6 _A modul black

P | Cabling

Data sheet

Page 5/5

Keystone 19 inch module frame 0.5RU 24 port gray unequipped

P/N

130925-GRKE

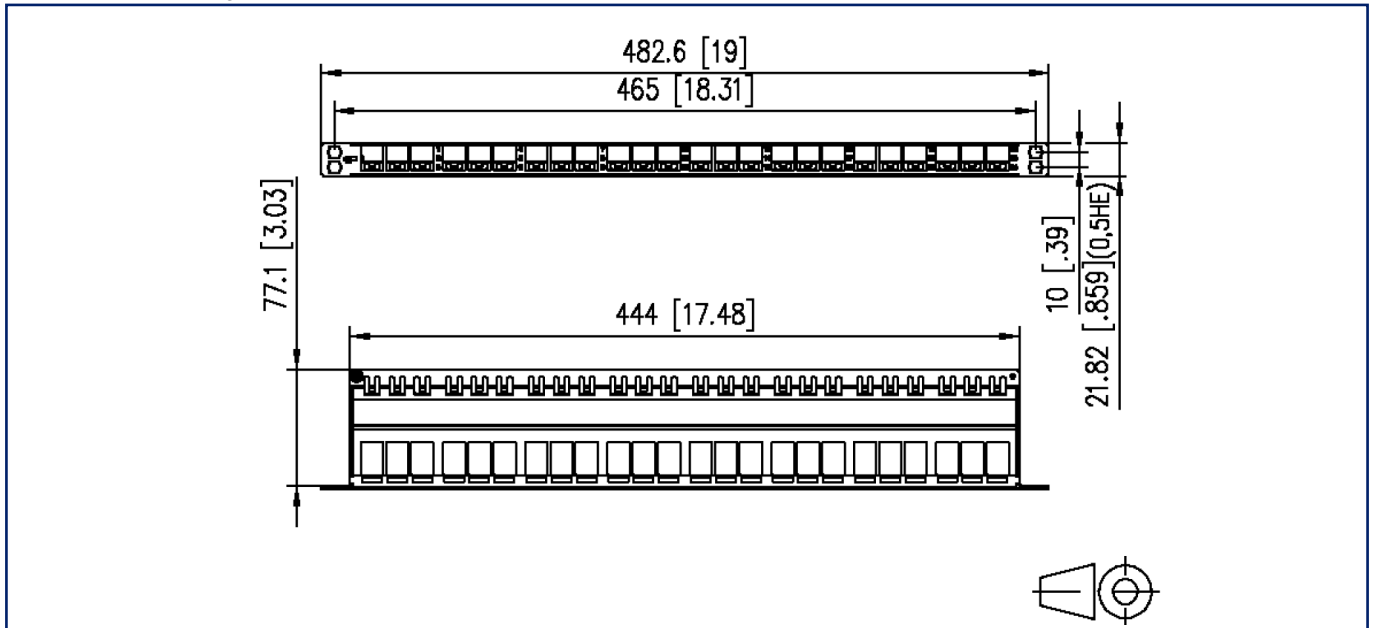
EAN 4251122194023

2023/04/14

Version: M

Illustrations

Dimensional drawing



Cut-out

