

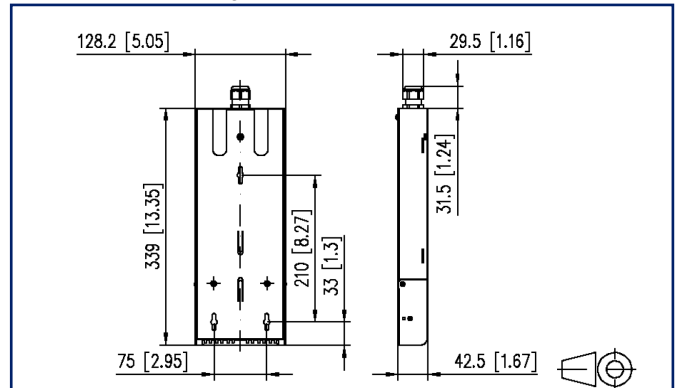
Data sheet

Consolidation Point VIK 6xSC-D OS2

Illustrations



Dimensional drawing



See enlarged drawings at the end of document

Product specification

- Consolidation Point VIK with 6 SC-D adapters
- To connect pre-terminated installation cables VIK with max. 12 fibers
- Wall-mount powder-coated steel-sheet housing, (white, RAL 9010)
- Patch area with swing-open and removable cover with label field
- Possibility for strain relief for patch cord
- Not used cutouts are closed by blind plugs
- Cable management area with separate cover
- Possible cable entry on the back side for one M20 cable gland
- If necessary order extensions or reductions for the fixing of the VIKs as separate accessory
- Supplied with material for wall-mounting



P | Cabling

Data sheet

Page 2/5

Consolidation Point VIK 6xSC-D OS2

P/N

150300E206-E

EAN 4251122197093

2023/07/11

Version: R

Technical Data

General Data

Fields of application	structured building cabling office areas fiber to the desk data center
Mechanical measurement according to MICE	M1
Ingress measurement according to MICE	I1
Climatic measurement according to MICE	C1
Electromagnetic measurement according to MICE	E3
Transmission technology	Fiber optic
Color	blue
Dimensions	
Dimension (L x W x H)	128.2 mm x 42.5 mm x 339 mm
Dimension (L x W x H)	5.047 in. x 1.673 in. x 13.346 in.
Fiber class	OS2
Mode type of the fiber	Singlemode
Labeling option	label strip / labeling strip

Connections/interfaces

Connector technology interface 1	SC-D Couplers
Connector technology interface 2	SC-D Couplers
Number of ports interface 1	6
Number of ports interface 2	6
Number of equipped ports interface 1	6
Number of ports interface 2 equipped	6
Number of ports with dust protection interface 1	6
Number of ports with dust protection interface 2	6
Cable access/outlet	possibility for cable entry on the back

Mechanical data

Connector type	duplex
Life - Number of mating cycles	min. 1000
strain relief	yes

Technical Data

Materials and material properties

Material - Housing	sheet steel
Material - Housing finish	powder-coated
Material - Sleeve	ceramic, slotted
Material - Coupler housing	Plastics
Halogen free	yes
RoHS	compliant

Standards/Regulations

FO connector interfaces	IEC 61754-4
-------------------------	-------------

Classifications

ETIM 6.0	EC001130
ETIM 7.0	EC001130
ETIM 8.0	EC001130
ETIM 9.0	EC001130

Packing details

Type of packaging	1 pc(s) / box
Packaging dimension	470 mm x 200 mm x 60 mm
Packaging dimension	18.504 in. x 7.874 in. x 2.362 in.

P | Cabling

Data sheet

Page 4/5

Consolidation Point VIK 6xSC-D OS2

P/N

150300E206-E

EAN 4251122197093

2023/07/11

Version: R

Accessories

P/N	Designation
150811P1611-E	Thread reducer PG16 to PG11
150811P1613-E	Thread reducer PG16 to PG13.5
150811P1621-E	Thread enlarger PG16 to PG21
15090401-E	OpDAT crimp splice protection (12 pieces)
15090401-I	OpDAT crimp splice protection (150 pieces)



P | Cabling

Data sheet

Consolidation Point VIK 6xSC-D OS2

Page 5/5

P/N

150300E206-E

EAN 4251122197093

2023/07/11

Version: R

Illustrations

Dimensional drawing

